

STEELTAPP®

POLYTAPP®

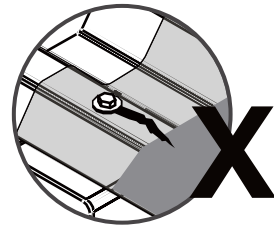
- Carbon steel fasteners for fixing skylights to steel substrates

Fasteners for fixing skylight profiles preventing :

Cracking of skylight sheets due to thermal expansion

Water leakages with special dome EPDM washers

Cuts down sheet damage
under thermal expansion



Standard Features of POLYTAPP®

Hex Washer Flange | 10mm Pilot Hole Wing
| 29mm Dome EPDM Washer



CORROSHIELD®
F A S T E N E R S

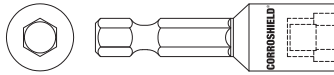
PATENTED
MANUFACTURING TECHNOLOGY

STEEL PENETRATION

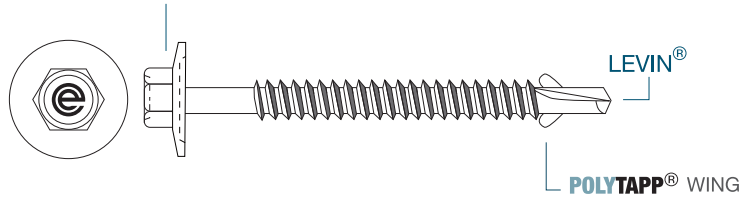
Max.5.5mm thick

ADAPTER TO USE

CORROSHIELD®
Hi-Torque Magnetic Hex Socket



Hex Washer Flange



OTHER OPTION/S

Powder coated head to match the colour of roofing sheets

DESCRIPTION

Hex Washer Flange
LEVIN® Drill Point
POLYTAPP®

PRODUCT FEATURE/S

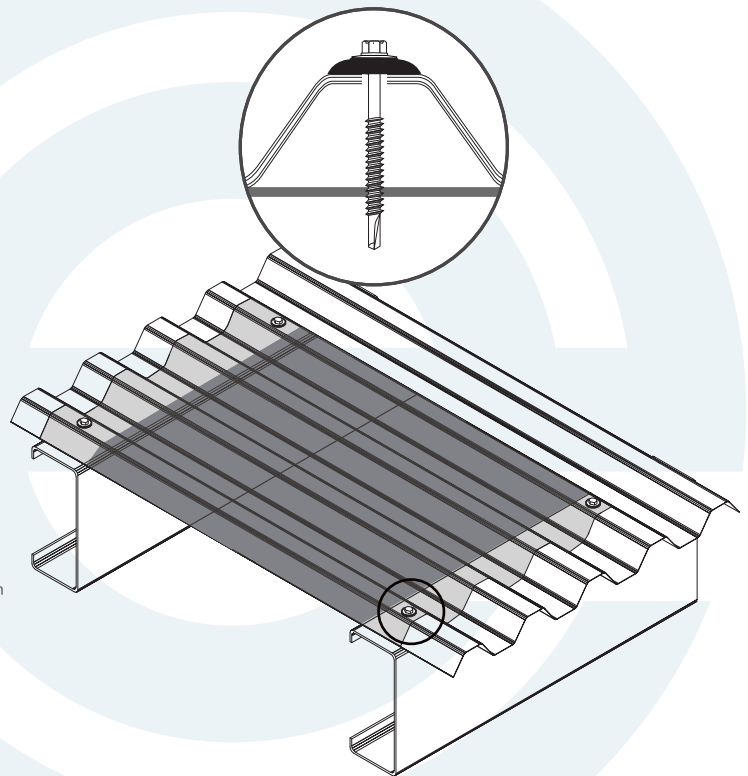
ø 14mm Integrated Flange (HWF)
LEVIN® Drill Point
POLYTAPP® Pilot Hole Wing

WASHER OPTION/S

- ø 25mm Dome Black EPDM w/o Plate#
- ø 25mm Dome Black EPDM w/ Stainless Steel Plate##
- ø 25mm Dome Black EPDM w/ Aluminium Steel Plate##



* For size not indicated above, please contact us for further information
* **INSTALLATION GUIDELINE**
1) Allow wing to grind into polycarbonate sheet slowly to achieve correct oversized pilot hole.
2) Do not overdrive the fastener to prevent failures.



Part Number

- PT 12 - 14 x 55mm
- PT 12 - 14 x 80mm

* For size not indicated above, please contact us for further information

How to Read Our Part Number

